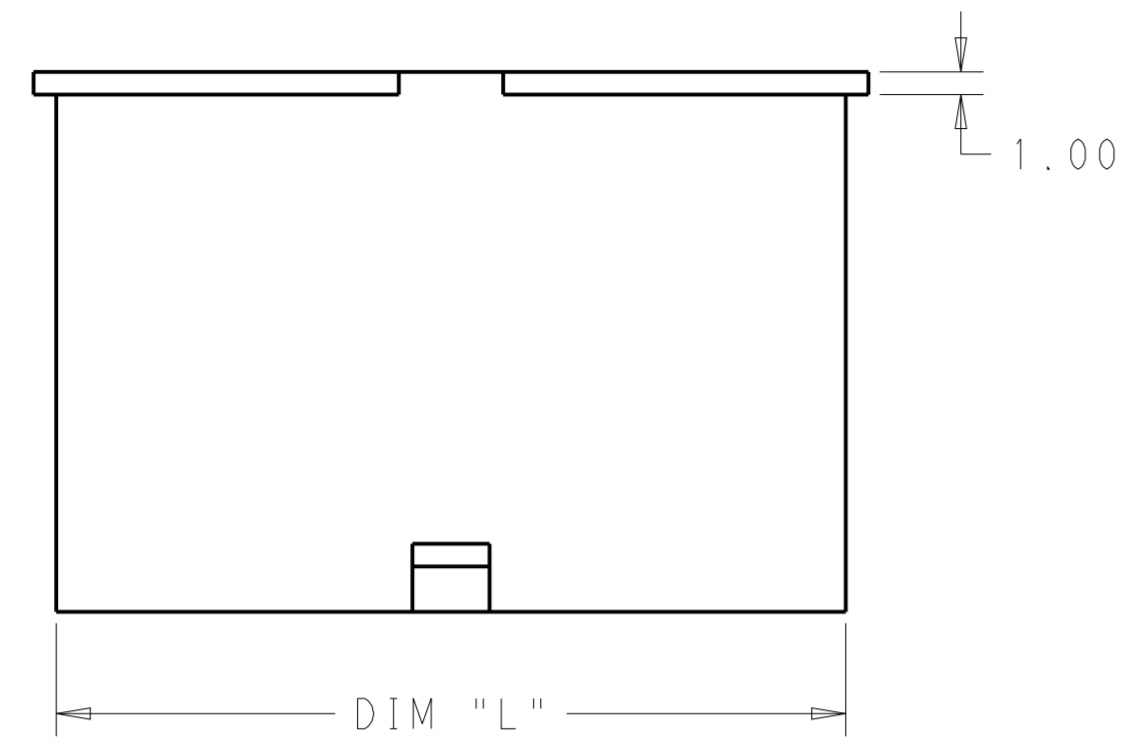
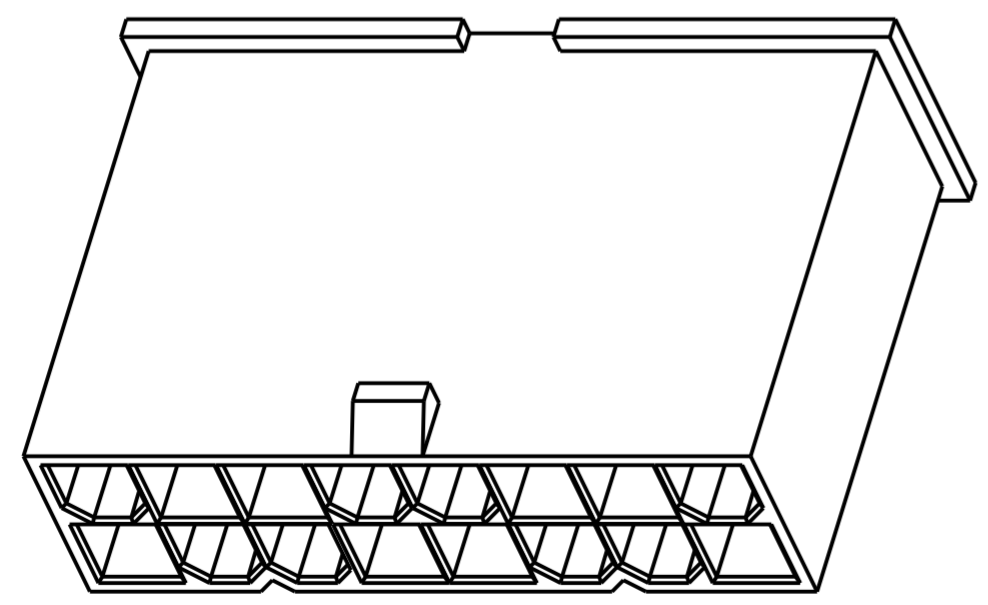
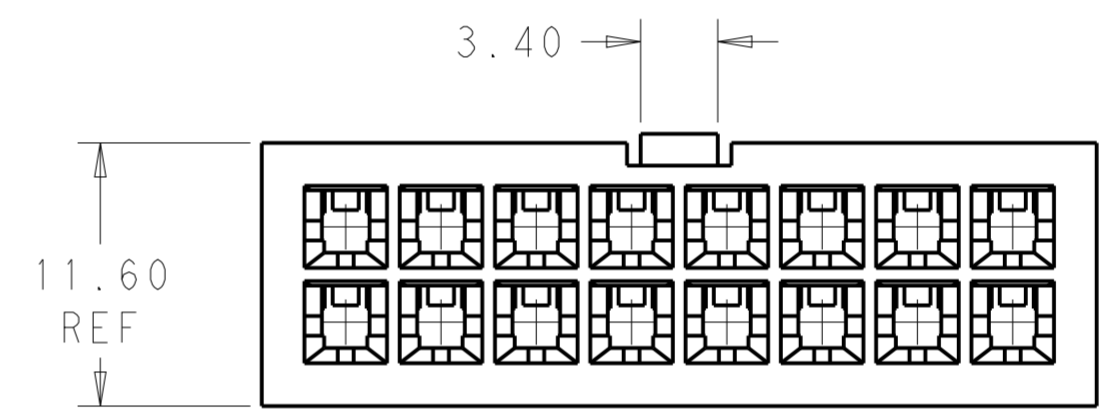
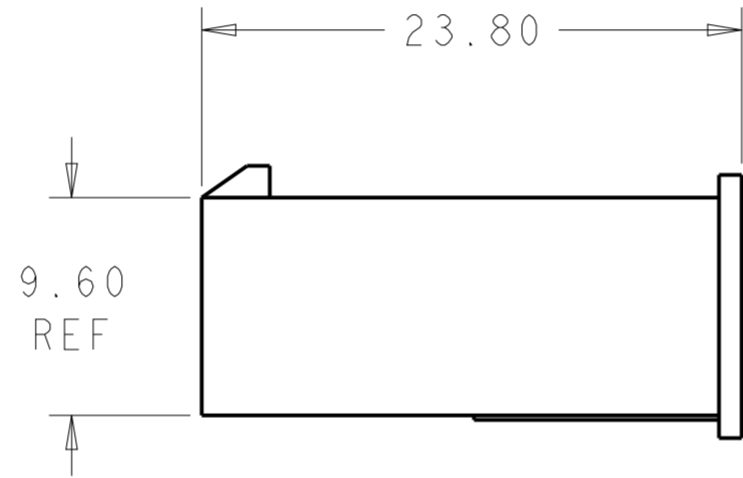
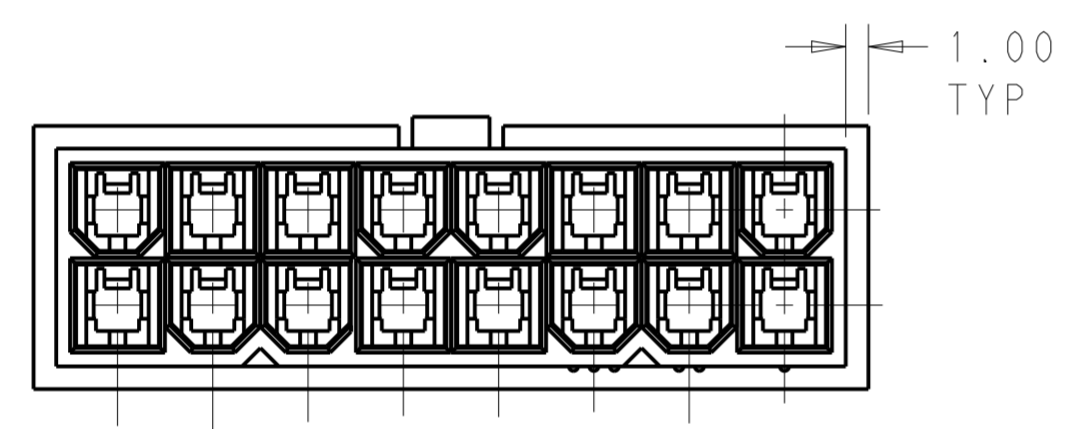


THIS DRAWING IS UNPUBLISHED. RELEASED FOR PUBLICATION 20  
 © COPYRIGHT 20 BY - ALL RIGHTS RESERVED.

LOC	DIST	REVISIONS			
P	LTR	DESCRIPTION	DATE	DWN	APVD
AF	-	A1	REVISED PER ECR-14-004708	28MAR14	JR KR



- 1 POLYAMIDE, UL94V-2, COLOR- WHITE
- 2 FLAMMABILITY V2 FOR THICKNESS 0.38mm, 1.5mm NAD 3.0mm PER IEC 60695-11-10.
- 3 GLOW-WIRE FLAMMABILITY (GWFI) 800°C FOR THICKNESS 0.38mm AND 0.75mm PER IEC 60695-2-12.
- 4 GLOW-WIRE FLAMMABILITY (GWFI) 960°C FOR THICKNESS 1.5mm AND 3.0mm PER IEC 60695-2-12.
- 5 GLOW-WIRE IGNITION (GWIT) 825°C FOR THICKNESS 0.38mm, 0.75mm, 1.5mm AND 3.0mm PER IEC 60695-2-13.
- 6 COMPLY WITH GLOW WIRE REQUIREMENTS FOR PARTS OF NON-METALLIC MATERIAL SUPPORTING A CURRENT-CARRYING CONNECTION DETAILED IN IEC 60335-1, SECTION 30(GWT).



51.60	24	2-1969604-4
47.40	22	2-1969604-2
43.20	20	2-1969604-0
39.00	18	1-1969604-8
34.80	16	1-1969604-6
30.60	14	1-1969604-4
26.40	12	1-1969604-2
22.20	10	1-1969604-0
18.00	8	1969604-8
13.80	6	1969604-6
9.60	4	1969604-4
5.40	2	1969604-2
DIM L	NO. OF POS	PART NO.

THIS DRAWING IS A CONTROLLED DOCUMENT.

DWN: JR RUTH 26SEPT13  
 CHK: KURT RANDOLPH 26SEPT13  
 APVD: KURT RANDOLPH 26SEPT13

**STE** TE Connectivity

NAME: PLUG HOUSING VAL-U-LOK, GLOW WIRE

PRODUCT SPEC: -  
 APPLICATION SPEC: -  
 WEIGHT: -

SIZE: A2 CAGE CODE: 00779 DRAWING NO: C-1969604 RESTRICTED TO: -  
 SCALE: 3:1 SHEET 1 OF 1 REV: A1

Customer Drawing